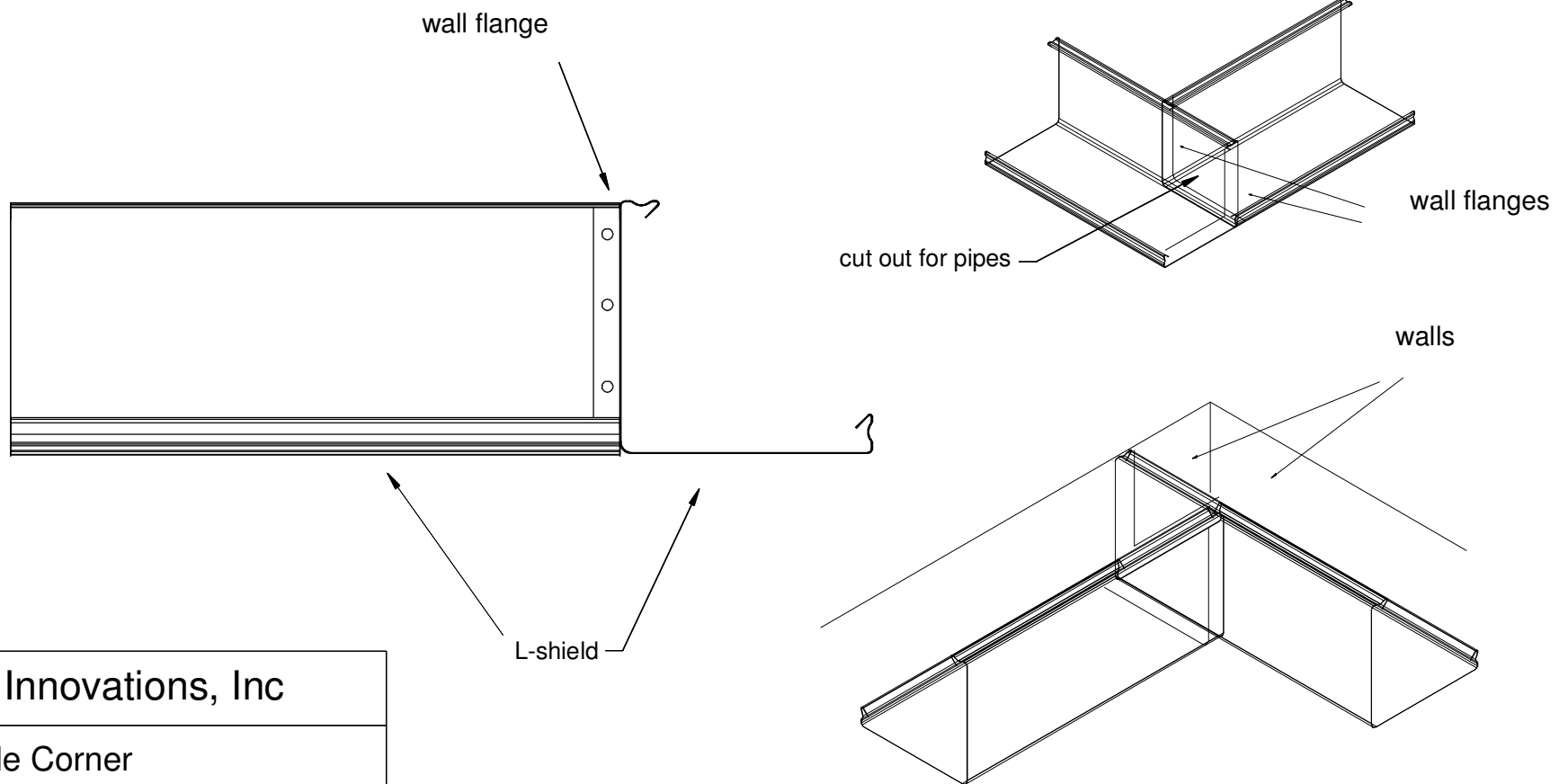


# Soffi-Steel® System Inside Corner



JG Innovations, Inc

Inside Corner

Drawn By: S.P.S.

**The Soffi-Steel System is protected by  
patent number 5,526,617; other patents pending.**