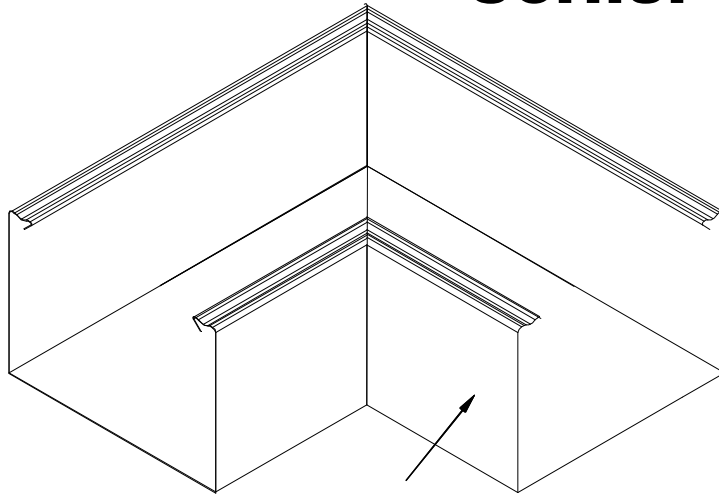
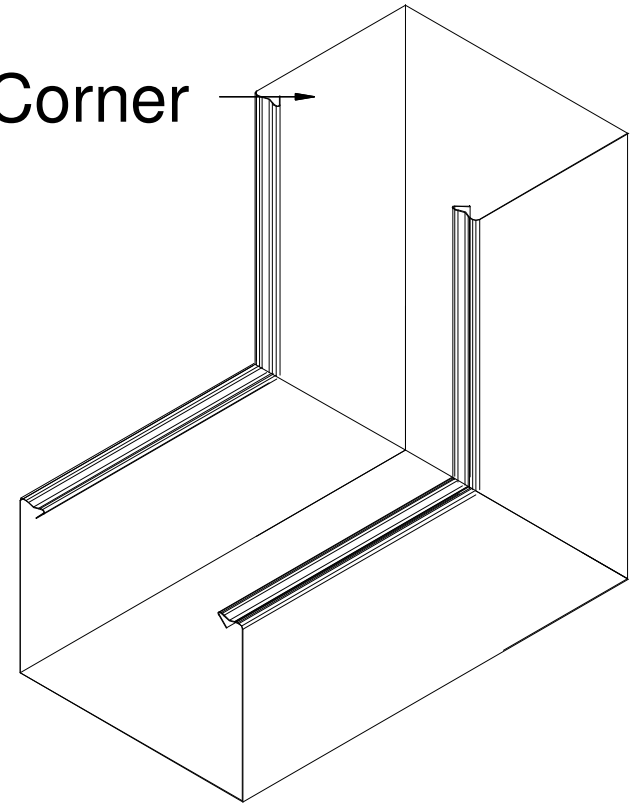


Soffi-Steel® System U-Shield Outside Corner & Elbow



Elbow

Outside Corner



JG Innovations, Inc.

U-Shield Outside Corner and
Elbow

Drawn By: S.P.S.

**The Soffi-Steel System is protected by
patent number 5,526,617; other patents pending.**