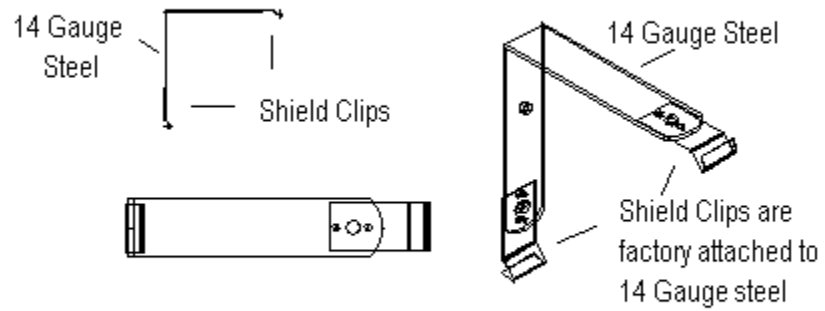


**Soffi-Steel® System
L-Bracket**



Grice Engineering Inc.
L-Bracket
Drawn By: S.P.S.

* For attachment of shield when dropped ceiling tiles or asbestos are existing site conditions