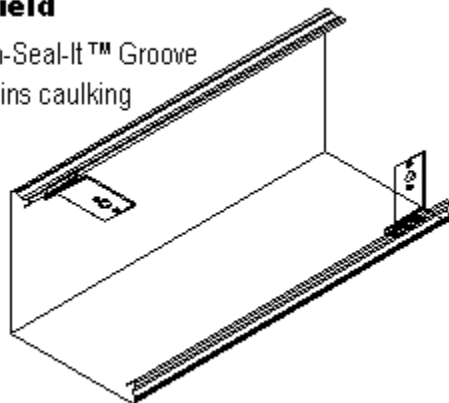


Shield is
"snapped" onto
pre-attached
Shield Clips

Soffi-Steel® System L-Shield

Con-Seal-It™ Groove
retains caulking



Grice Engineering Inc.

L-Shield & Attachment Clips

Drawn By: S.P.S.